



CORNER PROTECTOR BOPLAN SPECIFICATION SHEET

Revision: 28 April 2021 11:33 AM
 Boplan reference:
 CP0100-1000-S101YE
 CP0100-1000-S101BL



PRODUCT SPECIFICATIONS

APPLICATION

Environment	Heavy duty corner protector. Protection of pillars and corners in department stores, car parks, warehouses, ... against manoeuvring pallet trucks and other vehicles. Not intended for vehicle impact
-------------	---

MATERIAL

	Polyethylene - UV resistant - Fire class E* - Non conductive - Impervious to most chemicals**
--	---

STANDARD COLORS

	Yellow and Black
--	------------------

FIXATIONS

Concrete screw ZC (included)	Length = 45 mm Size = Ø 7.5 mm Drill hole diameter = 6 mm Max load (pull out) = 2.0 kN Screw drive = Torx 30 (T30)
------------------------------	--

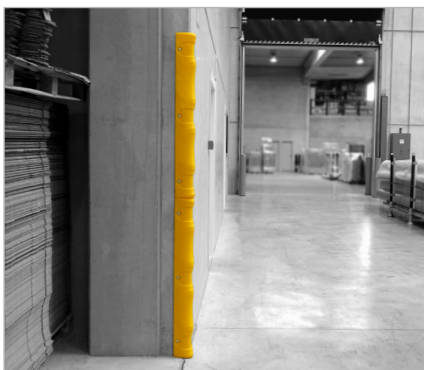


Velcro straps (not included)	Use multiple Corner Protectors around a pillar with velcro straps.
------------------------------	--

REQUIREMENTS

Angle of corner	Between 85° and 100°
Environment	Indoor and outdoor use
Working Temperatures	-10°C up to +40°C

*Classification according to EN 13501-1:2007 +A1:2009 - Fire classification of construction products and building elements.
 **Ask your local sales office for resistance to specific chemicals.





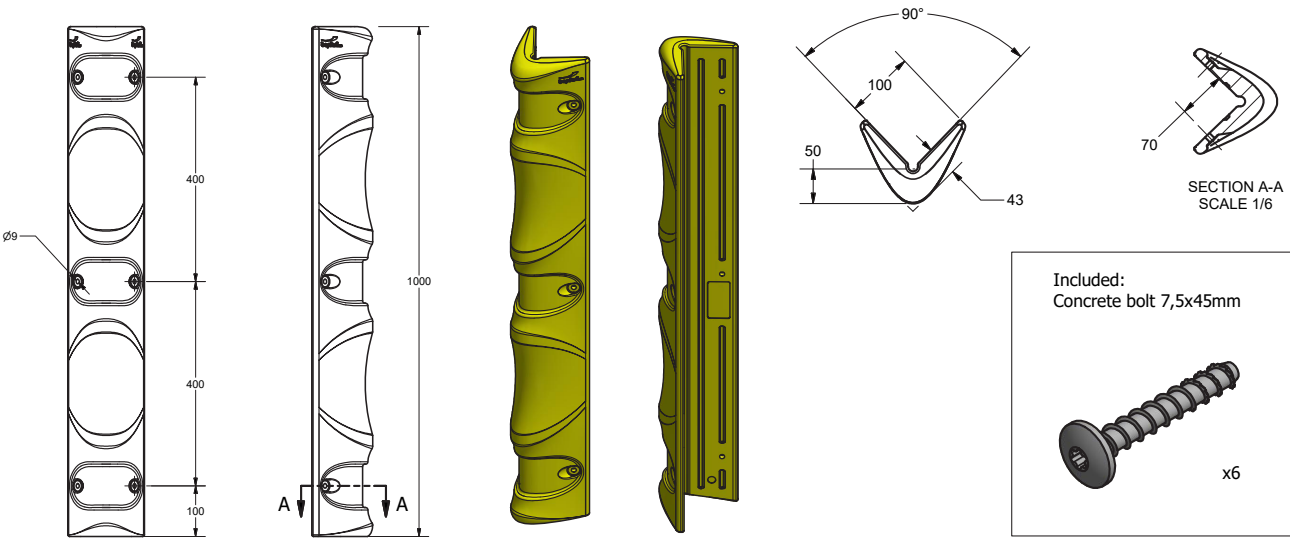
FEATURES AND FUNCTIONALITY

SIZE	
Outer diameter	140 mm x 140 mm
Inner dimension	100 mm x 100 mm
Weight	1.8 kg

IMPACT PERFORMANCE		
Test conditions	Ambient temperature Fork lift weight Success criteria	20°C 2300kg No permanent damage
90° impact	Maximum impact	500 Joule
45° impact	Maximum impact	500 Joule


REFERENCES PRODUCT - CORNER PROTECTOR

CP0100-1000-S101YE	CP0100-1000-S101BL
YELLOW	BLACK
	



Technical drawings showing front, side, and detail views of the corner protector. Dimensions include a total height of 1000 mm, individual sections of 400 mm, and a bottom section of 100 mm. A detail view shows a 90-degree angle with a 100 mm radius and a 50 mm depth. Section A-A is shown at a scale of 1/6 with a 70 mm width.

Included:
Concrete bolt 7,5x45mm



x6